



“REMASZ”<sup>®</sup> Sp. z o.o.

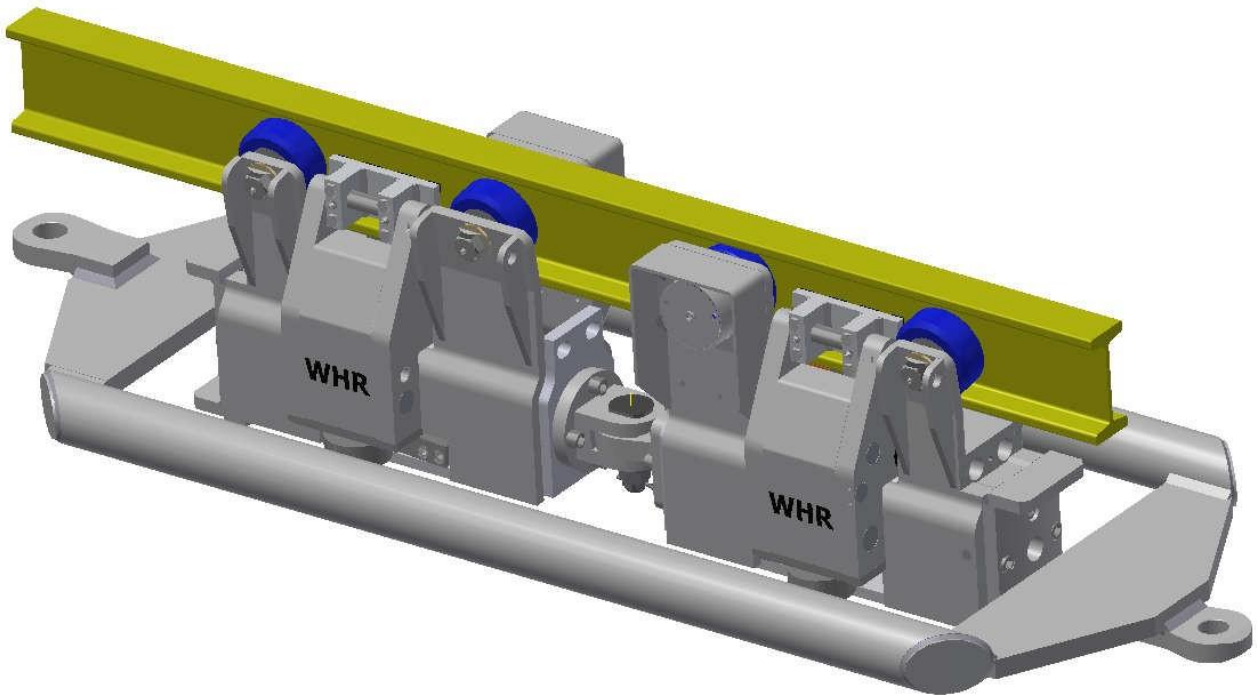
41-708 Ruda Śląska  
ul. Pawła 6  
tel. +48 32 244-35-34,  
[remasz@remasz.com](mailto:remasz@remasz.com)

Tax ID (NIP) 627-274-10-73  
Regon: 3611332282  
+48,518,518,211  
KRS: 0000550711

---

## Information sheet

### Frame-type guiding ties CRP Version: CRP-1 and CRP-2 for guiding braking carriages





“REMASZ”<sup>®</sup> Sp. z o.o.

41-708 Ruda Śląska  
ul. Pawła 6  
tel. +48 32 244-35-34,  
[remasz@remasz.com](mailto:remasz@remasz.com)

Tax ID (NIP) 627-274-10-73  
Regon: 3611332282  
+48,518,518,211  
KRS: 0000550711

---

## Table of Contents

|  |          |
|--|----------|
| <b>1 APPLICATION. ....</b>   | <b>3</b> |
| <b>1.1 Safety instructions.....</b>  | <b>3</b> |
| <b>2 SUMMARY OF TECHNICAL DATA OF CRP FRAME-TYPE TIES. ....</b>                            | <b>4</b> |
| <b>3 CONDITIONS AND SCOPE OF USE CRP FRAME-TYPE TIES.<br/>.....</b>                        | <b>5</b> |
| <b>4 DESIGN DESCRIPTION. ....</b>  | <b>5</b> |
| <b>5 SCOPE OF DELIVERY. ....</b>   | <b>6</b> |
| <b>6 ORDERING. ....</b>  | <b>6</b> |
| <b>7 EXAMPLE DRAWINGS OF CRP GUIDING FRAMES WITH BRAKING<br/>CARRIAGES INSTALLED. ....</b> | <b>7</b> |



“REMASZ”<sup>®</sup> Sp. z o.o.

41-708 Ruda Śląska  
ul. Pawła 6  
tel. +48 32 244-35-34,  
[remasz@remasz.com](mailto:remasz@remasz.com)

Tax ID (NIP) 627-274-10-73  
Regon: 3611332282  
+48,518,518,211  
KRS: 0000550711

---

## 1 Application.

The CRP guiding ties are intended for attachment of units of a suspended trolley transport system, provided with their own drives or driven by cables.

The CRP ties may be used in underground mines, in methane and non-methane fields, in mining longwalls of “a”, “b” and “c” classes in terms of methane explosion hazards and of classes A and B of coal dust explosion hazard.

### 1.1 Safety instructions.

The CRP frame-type ties are used to guide braking carriages and for safe connection of transport systems. Tie assembly should be performed only during standstill, with the trolley protected against start-up. Before starting driving, check the condition of connections (openings, pins, nuts, cotter pins). Incorrect operation poses a hazard to health and life of the operators, bystanders, as well as risk of potential damage to the device and to other machinery and devices present within the hazardous area.



# “REMASZ”<sup>®</sup> Sp. z o.o.

41-708 Ruda Śląska  
ul. Pawła 6  
tel. 0-32244-35-34  
[remasz@remasz.com](mailto:remasz@remasz.com)

Tax ID (NIP) 627-274-10-73  
Regon: 3611332282  
+48,518,518,211  
KRS: 0000550711

## 2 Summary of technical data of CRP frame-type ties.

Table 1

| No. | Version      | Fp<br>[kN] | Fig.        | Lc<br>[mm] | Lw<br>[mm] | Sw<br>[mm] | Eye level<br>difference<br>[mm] | Øu<br>[mm] | Tu min.<br>[mm] | Weight<br>[kg] |
|-----|--------------|------------|-------------|------------|------------|------------|---------------------------------|------------|-----------------|----------------|
| 1.  | <b>CRP-1</b> | 120        | RP-01-00-00 | 1030       | 600        | 400        | 0÷90                            | 32÷46      | 25-35           | 39             |
| 2.  |              | 140        | RP-01-00-00 | 1030       | 600        | 400        | 0÷90                            | 41÷46      | 28-35           | 39             |
| 3.  |              | 150        | RP-01-00-00 | 1030       | 600        | 400        | 0÷90                            | 41÷46      | 30-35           | 39             |
| 4.  | <b>CRP-2</b> | 120        | RP-02-00-00 | 1880       | 1330       | 530        | 0÷90                            | 32÷46      | 25-35           | 88             |
| 5.  |              | 140        | RP-02-00-00 | 1880       | 1330       | 530        | 0÷90                            | 41÷46      | 28-35           | 88             |
| 6.  |              | 150        | RP-02-00-00 | 1880       | 1330       | 530        | 0÷90                            | 41÷46      | 30-35           | 88             |

The aforementioned CRP ties are adapted to cooperation with the following system types:

SCHARF, BECKER, PIOMA, BEVEX, FERRIT, ZAMPRA, FITE, IMM, KSP, FAMA, LPS

The aforementioned CRP ties are adapted to guiding the following braking carriage types:

WHR-1, WHR-1/N

### 3 Conditions and scope of use of the CRP frame-type ties.

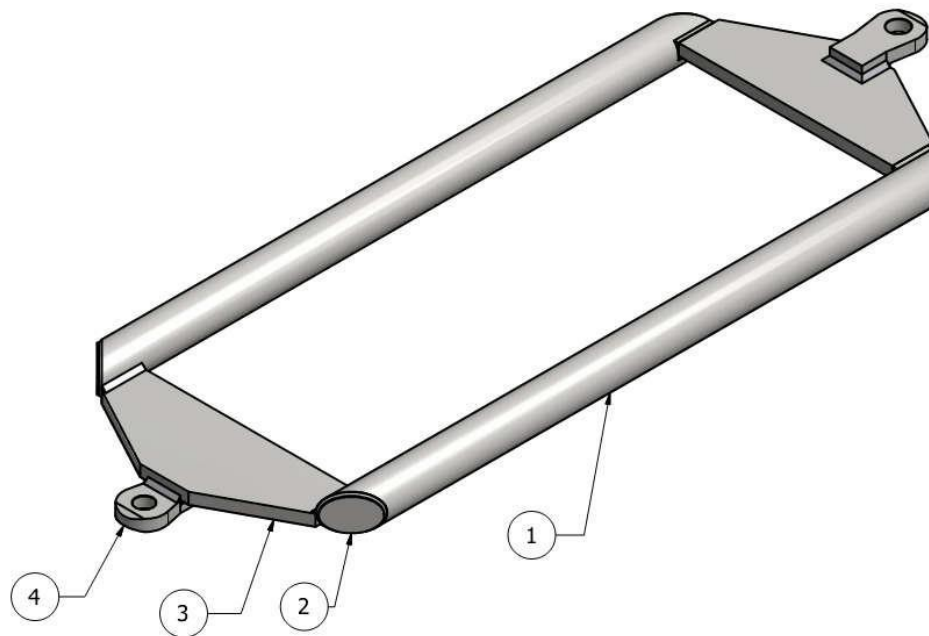
The CRP frame-type ties with the pulling force of 120 kN, 140 kN and 150 kN connect two transport carriages. The frame-type tie, CRP-1 version, is used to guide a single braking carriage, while the frame-type tie, CRP-2 version, is used to guide two braking carriages. Braking carriages guided within frames do not have hitches used to connect them with the frames and are provided with so-called bumpers only.

Such a use of frame-type ties offers the advantage of avoiding hitch damage and braking carriage overload during trolley pushing and rolling along the track.

### 4 Design description.

The CRP frame-type tie is made of thick-walled pipes, trapezoid sheets welded at the ends of handles (eyes) in order to connect the tie to transport carriages. The handles are welded at various levels, between 0 and 90 mm.

The eye opening diameters (d, D) are between Ø 31 mm and Ø 46 mm.



*Fig. 5 – Frame-type tie – elements:*

- 1 – thick-walled pipe,
- 2 – pipe cap,
- 3 – sheet connecting pipes,
- 4 – connecting handle (eye)



“REMASZ”<sup>®</sup> Sp. z o.o.

41-708 Ruda Śląska  
ul. Pawła 6  
tel. +48 32 244-35-34,  
[remasz@remasz.com](mailto:remasz@remasz.com)

Tax ID (NIP) 627-274-10-73  
Regon: 3611332282  
+48,518,518,211  
KRS: 0000550711

---

## 5 Scope of delivery.

The delivery includes:

- a complete CRP frame-type tie,
- an original operation and maintenance manual, provided during the first delivery,
- the warranty card and the Quality Control acceptance certificate,
- a declaration confirming that the product meets the technical requirements.

## 6 Ordering.

Please specify the tie parameters listed below when ordering a CRP frame-type tie:

1. Tie type.
2. Vertical difference between horizontal axes of eyes.
3. Eye opening diameter.
4. Thickness of metal sheets used with both eyes – 25-35 mm.

“REMASZ”<sup>®</sup> Sp. z o.o.

41-708 Ruda Śląska

ul. Pawła 6

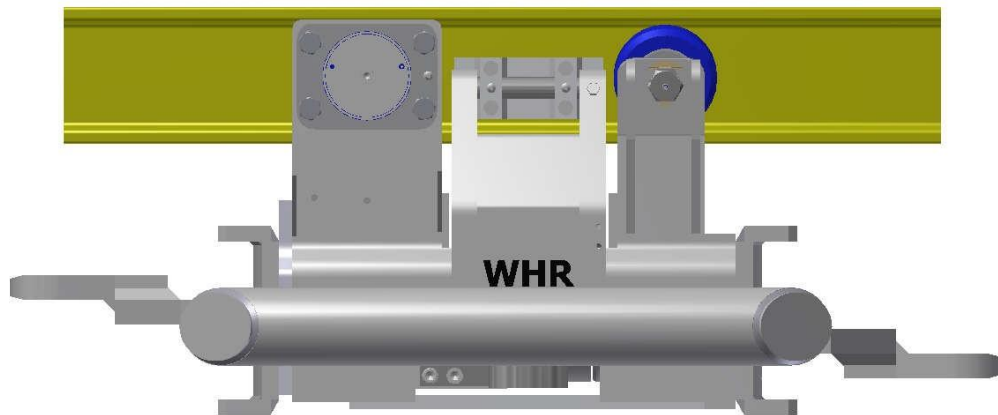
tel. 0-32244-35-34

mob. +48,518,518,211

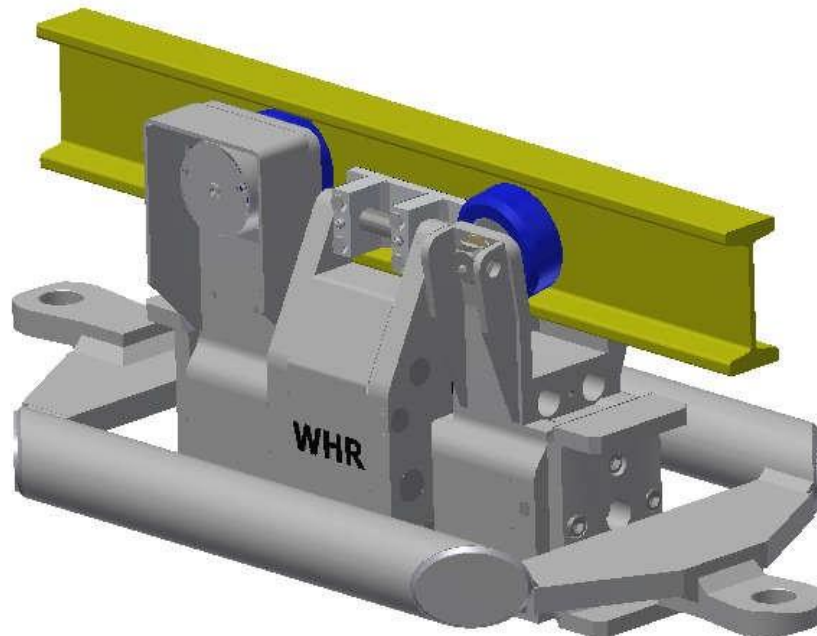
[remasz@remasz.com](mailto:remasz@remasz.com)



**7 Example drawings of CRP guiding frames with braking carriages installed.**



*CRP-1*



*CRP-1*

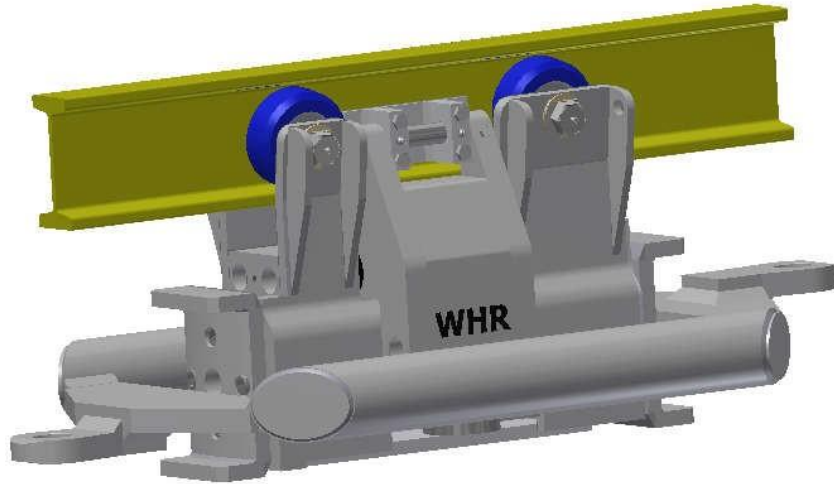


# “REMASZ”<sup>®</sup> Sp. z o.o.

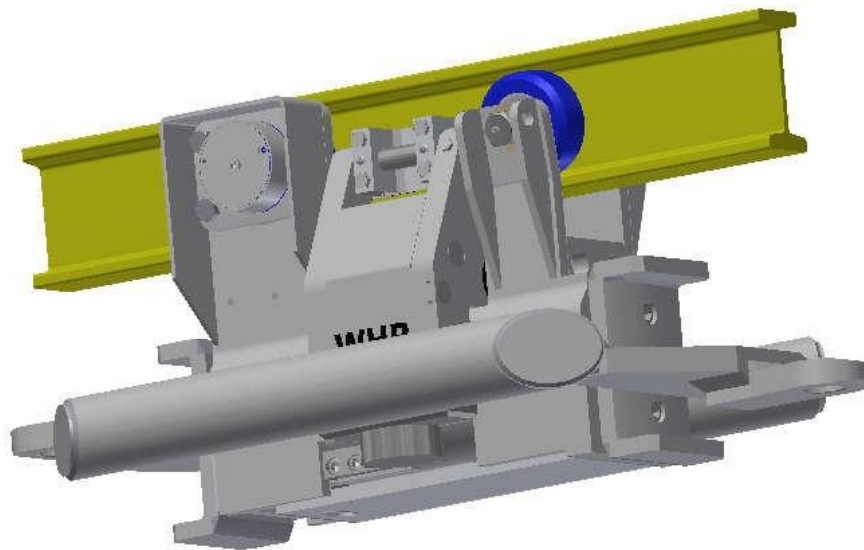
41-708 Ruda Śląska  
ul. Pawła 6  
tel. +48 32 244-35-34,  
[remasz@remasz.com](mailto:remasz@remasz.com)

Tax ID (NIP) 627-274-10-73  
Regon: 3611332282  
+48,518,518,211  
KRS: 0000550711

---



*CRP-1*



*CRP-1*



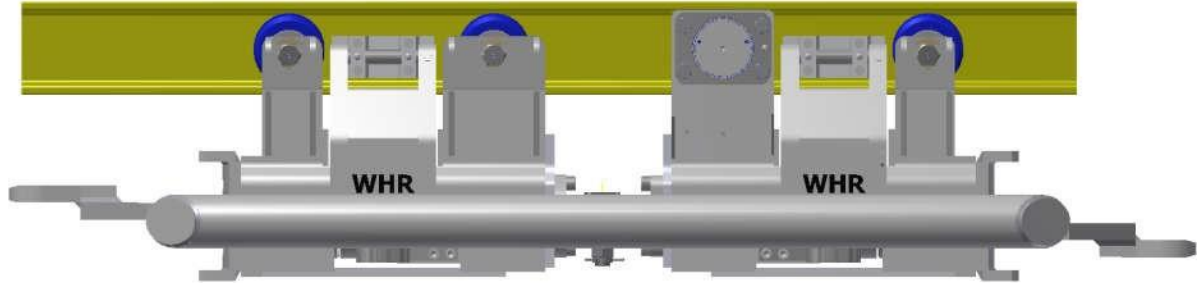


“REMASZ”<sup>®</sup> Sp. z o.o.

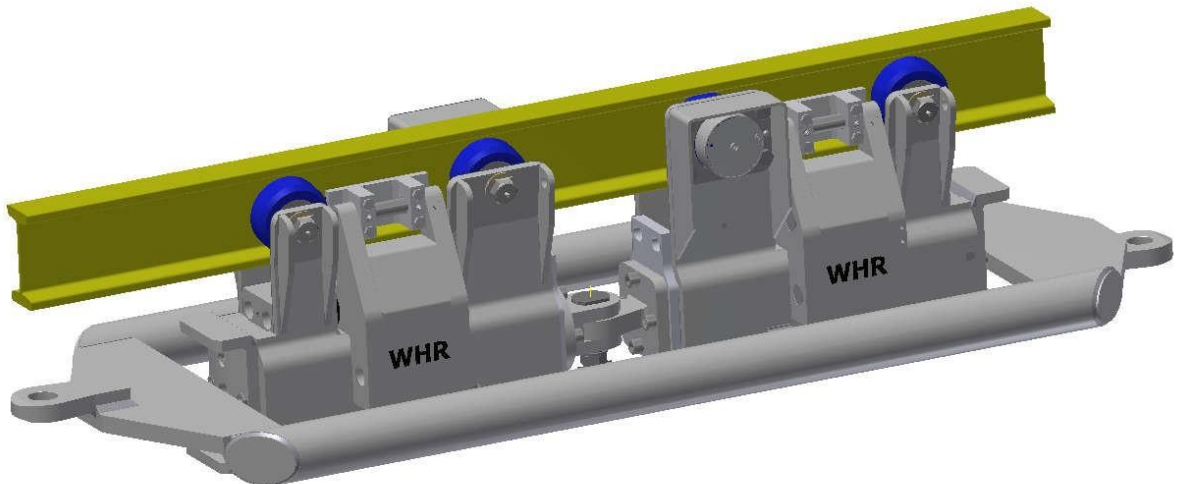
41-708 Ruda Śląska  
ul. Pawła 6  
tel. +48 32 244-35-34,  
[remasz@remasz.com](mailto:remasz@remasz.com)

Tax ID (NIP) 627-274-10-73  
Regon: 3611332282  
+48,518,518,211  
KRS: 0000550711

---



*CRP-2*



*CRP-2*

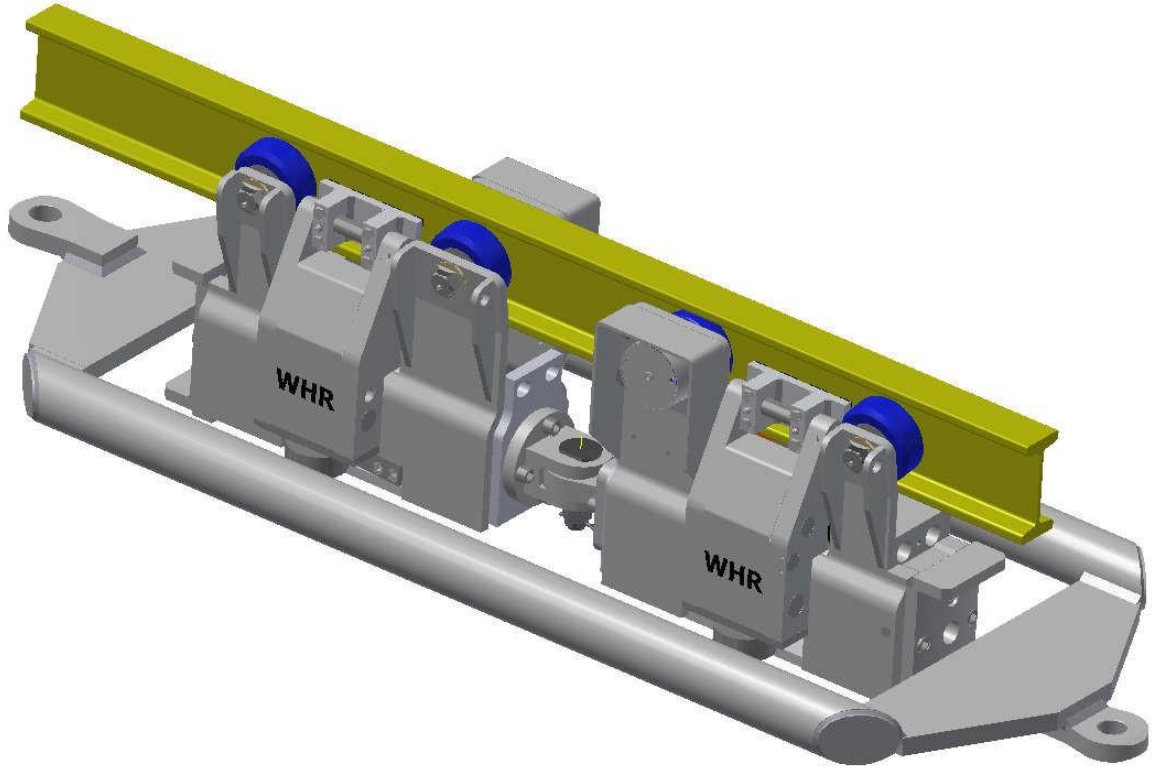


# “REMASZ”<sup>®</sup> Sp. z o.o.

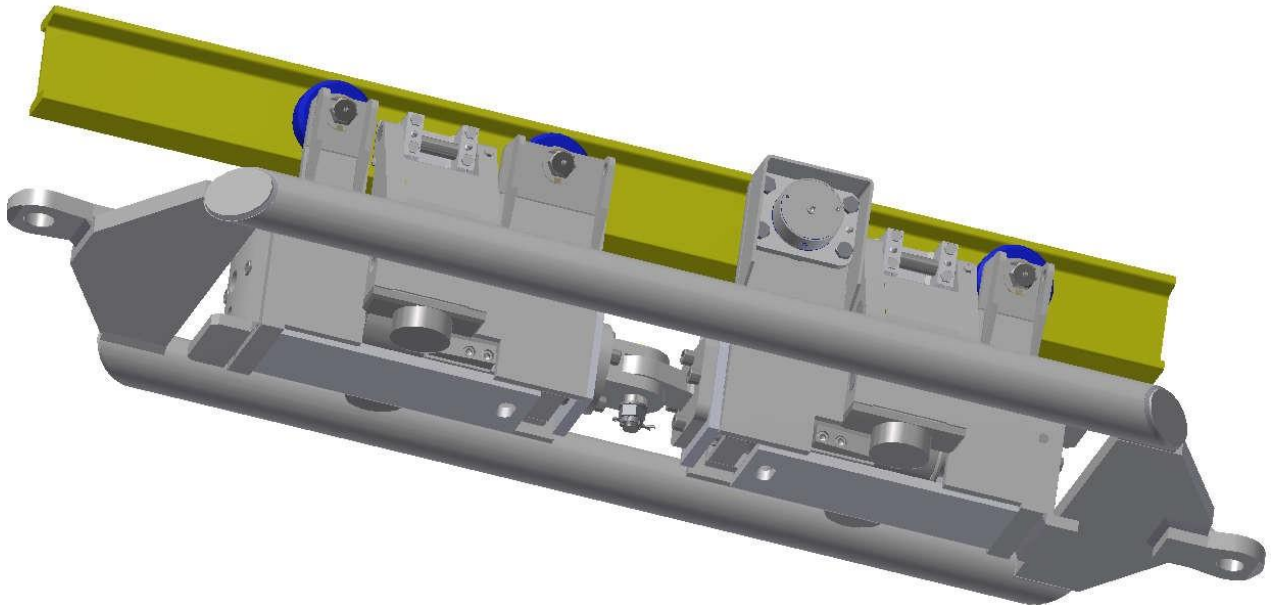
41-708 Ruda Śląska  
ul. Pawła 6  
tel. +48 32 244-35-34,  
[remasz@remasz.com](mailto:remasz@remasz.com)

Tax ID (NIP) 627-274-10-73  
Regon: 3611332282  
+48,518,518,211  
KRS: 0000550711

---



*CRP-2*



*CRP-2*

----



# “REMASZ”<sup>®</sup> Sp. z o.o.

41-708 Ruda Śląska  
ul. Pawła 6  
tel. +48 32 244-35-34,  
[remasz@remasz.com](mailto:remasz@remasz.com)

Tax ID (NIP) 627-274-10-73  
Regon: 3611332282  
+48,518,518,211  
KRS: 0000550711

---